



## Four-wheel electric forklift

# Xi16 – Xi20 P

Load capacity 1.6 t – 2.0 t | Series 1251

ION

### An agile powerhouse

- Powerful electric counterbalance forklift truck up to 2 tonnes capacity with integrated Li-ION battery (Xi)
- Powerful and productive due to 90 volt technology and synchronous reluctance motors
- Exceptionally spacious operator's workspace designed to the highest ergonomic standards
- Above-average lifting and lowering speeds
- Manoeuvrable and sturdy four-wheel version (P) with combi steer or articulating steer axle
- 6 model versions with different chassis and battery variants

# TECHNICAL DATA (according to VDI 2198)

|                         |   |  |   |                         |                         |                         |
|-------------------------|---|--|---|-------------------------|-------------------------|-------------------------|
| Characteristics         | 1.1                                       | Manufacturer (abbreviation)                                |   | Linde MH                | Linde MH                | Linde MH                |
|                         | 1.2                                       | <b>Manufacturer's type designation</b>                     |   | <b>Xi16 P</b>           | <b>Xi16 P</b>           | <b>Xi20 P</b>           |
|                         | 1.2a                                      | Series   |   | 1251-01                 | 1251-01                 | 1251-01                 |
|                         | 1.3                                       | Drive  |   | Battery                 | Battery                 | Battery                 |
|                         | 1.4                                       | Operation  |   | Seated                  | Seated                  | Seated                  |
|                         | 1.5                                       | Rated capacity/rated load                                  | Q (t)                                     | 1.6                     | 1.8                     | 2.0                     |
|                         | 1.6                                       | Load centre distance                                       | c (mm)                                    | 500                     | 500                     | 500                     |
|                         | 1.8                                       | Load distance, centre of drive axle to fork                | x (mm)                                    | 369.9                   | 374.9                   | 378.9                   |
|                         | 1.9                                       | Wheelbase  | y (mm)                                    | 1417 <sup>1)</sup>      | 1452 <sup>1)</sup>      | 1502 <sup>1)</sup>      |
| Weight                  | 2.1                                       | Service weight   | kg  | 2912 <sup>2)</sup>      | 3182 <sup>2)</sup>      | 3405 <sup>2)</sup>      |
|                         | 2.2                                       | Axle loading, laden front/rear                             | kg  | 3907/605                | 4323/659                | 4680/725                |
|                         | 2.3                                       | Axle loading, unladen front/rear                           | kg  | 1325/1587 <sup>2)</sup> | 1438/1744 <sup>2)</sup> | 1510/1895 <sup>2)</sup> |
| Tyres/chassis           | 3.1                                       | Tyres: solid rubber, superelastic, pneumatic, polyurethane |   | SE                      | SE                      | SE                      |
|                         | 3.2                                       | Tyre size, front   |   | 180/70-8 (18 × 7-8)     | 200/50-10               | 200/50-10               |
|                         | 3.3                                       | Tyre size, rear  |   | 150/75-8 (16 × 6-8)     | 150/75-8 (16 × 6-8)     | 150/75-8 (16 × 6-8)     |
|                         | 3.5                                       | Wheels, number front/rear (x = driven wheels)              |   | 2 x/2                   | 2 x/2                   | 2 x/2                   |
|                         | 3.6                                       | Tread, front   | b10 (mm)                                  | 930                     | 966                     | 966                     |
|                         | 3.7                                       | Tread, rear  | b11 (mm)                                  | 837                     | 837                     | 837                     |
|                         | Dimensions                                | 4.1  | Mast/fork carriage tilt, forward/backward | α/β (°)                 | 5.0/7.0                 | 5.0/7.0                 |
| 4.2                     |   | Mast height, lowered                                       | h1 (mm)                                   | 2145                    | 2144                    | 2143                    |
| 4.3                     |   | Free lift  | h2 (mm)                                   | 150                     | 150                     | 150                     |
| 4.4                     |   | Lift   | h3 (mm)                                   | 3050                    | 3050                    | 3050                    |
| 4.5                     |   | Mast height, extended                                      | h4 (mm)                                   | 3656                    | 3655                    | 3654                    |
| 4.7                     |   | Height of overhead guard (cabin)                           | h6 (mm)                                   | 2054                    | 2052                    | 2052                    |
| 4.8                     |   | Seat height relating to SIP/stand height                   | h7 (mm)                                   | 1021                    | 1021                    | 1021                    |
| 4.12                    |   | Coupling height  | h10 (mm)                                  | 547                     | 547                     | 546                     |
| 4.19                    |   | Overall length   | l1 (mm)                                   | 2921                    | 2961                    | 3015                    |
| 4.20                    |   | Length to fork face  | l2 (mm)                                   | 2021                    | 2061                    | 2115                    |
| 4.21                    |   | Overall width  | b1/b2 (mm)                                | 1086/-                  | 1162/-                  | 1162/-                  |
| 4.22                    |   | Fork dimensions DIN ISO 2331                               | s/e/l (mm)                                | 40/80/900               | 45/100/900              | 45/100/900              |
| 4.23                    |   | Fork carriage to ISO 2328, class/type A, B                 |   | 2A                      | 2A                      | 2A                      |
| 4.24                    |   | Fork carriage width  | b3 (mm)                                   | 980                     | 980                     | 980                     |
| 4.31                    |   | Ground clearance, laden, below mast                        | m1 (mm)                                   | 91                      | 95                      | 93                      |
| 4.32                    |   | Ground clearance, centre of wheelbase                      | m2 (mm)                                   | 99                      | 97                      | 97                      |
| 4.34.1                  |   | Aisle width for pallets 1000 × 1200 crossways              | Ast (mm)                                  | 3347 <sup>3)</sup>      | 3386 <sup>3)</sup>      | 3440 <sup>3)</sup>      |
| 4.34.2                  |   | Aisle width for pallets 800 × 1200 lengthways              | Ast (mm)                                  | 3471 <sup>3)</sup>      | 3511 <sup>3)</sup>      | 3565 <sup>3)</sup>      |
| 4.35                    |   | Turning radius   | Wa (mm)                                   | 1651                    | 1686                    | 1736                    |
| 4.36                    |   | Inside turning radius                                      | b13 (mm)                                  | 0                       | 0                       | 0                       |
| Performance             | 5.1                                       | Travel speed, laden/unladen                                | km/h                                      | 20/20                   | 20/20                   | 20/20                   |
|                         | 5.1.1                                     | Travel speed, laden/unladen                                | km/h                                      | 20/20                   | 20/20                   | 20/20                   |
|                         | 5.2                                       | Lifting speed, laden/unladen                               | m/s                                       | 0.6/0.75                | 0.6/0.75                | 0.57/0.75               |
|                         | 5.3                                       | Lowering speed, laden/unladen                              | m/s                                       | 0.58/0.5                | 0.58/0.5                | 0.58/0.5                |
|                         | 5.5                                       | Drawbar pull, laden/unladen                                | N   | 4000/4000               | 4000/4000               | 4000/4000               |
|                         | 5.6                                       | Max. drawbar pull, laden/unladen                           | N   | 12000/12000             | 12000/12000             | 12000/12000             |
|                         | 5.7                                       | Gradeability, laden/unladen                                | %   | 16.3/27.3               | 14.6/24.9               | 13.2/22.8               |
|                         | 5.8                                       | Max. gradeability, laden/unladen                           | %   | 27.2/46.5               | 24.2/42.0               | 21.9/38.2               |
|                         | 5.9                                       | Acceleration time, laden/unladen                           | s   | 5.1/4.5                 | 5.3/4.6                 | 5.5/4.7                 |
|                         | 5.10                                      | Service brake  |   | mech./elect.            | mech./elect.            | mech./elect.            |
| Electric-engine         | 6.1                                       | Drive motor rating S2 60 min                               | kW  | 2x 6.5                  | 2x 6.5                  | 2x 6.5                  |
|                         | 6.2                                       | Lift motor rating at S3 15%                                | kW  | 13                      | 13                      | 13                      |
|                         | 6.3                                       | Battery according to DIN 43531/35/36 A, B, C, no           |   | Li-ION                  | Li-ION                  | Li-ION                  |
|                         | 6.4                                       | Battery voltage/nominal capacity K5                        | (V)/(Ah) or kWh                           | 90/189                  | 90/284                  | 90/284                  |
|                         | 6.4.a                                     | Battery energy content                                     | kWh                                       | 15.3                    | 23.04                   | 23.04                   |
|                         | 6.6                                       | Energy consumption according to DIN EN 16796               | kWh/h                                     | 4.0                     | 4.3                     | 4.5                     |
|                         | 6.6.1                                     | CO2 equivalent compliant with DIN EN 16796                 | kg/h                                      | 2.2                     | 2.3                     | 2.5                     |
|                         | 6.7                                       | Turnover output according to VDI 2198                      | t/h                                       | 133                     | 148                     | 163                     |
| 6.8                     | Turnover efficiency according to VDI 2198 | t/kWh  | 21.7                                      | 22.5                    | 23.3                    |                         |
| Drive/lifting mechanism | 8.1                                       | Type of drive unit   |   | Microprocessor control  | Microprocessor control  | Microprocessor control  |
| Additional data         | 10.1                                      | Operating pressure for attachments                         | bar                                       | 170                     | 170                     | 170                     |
|                         | 10.2                                      | Oil flow for attachments                                   | l/min                                     | 32                      | 32                      | 32                      |
|                         | 10.7                                      | Sound pressure level LpAZ (at the operator's seat)         | dB(A)                                     | 66                      | 66                      | 66                      |

1) With vertical mast

2) including battery, lines 6.4/6.5.

3) including a = 200 mm safety distance

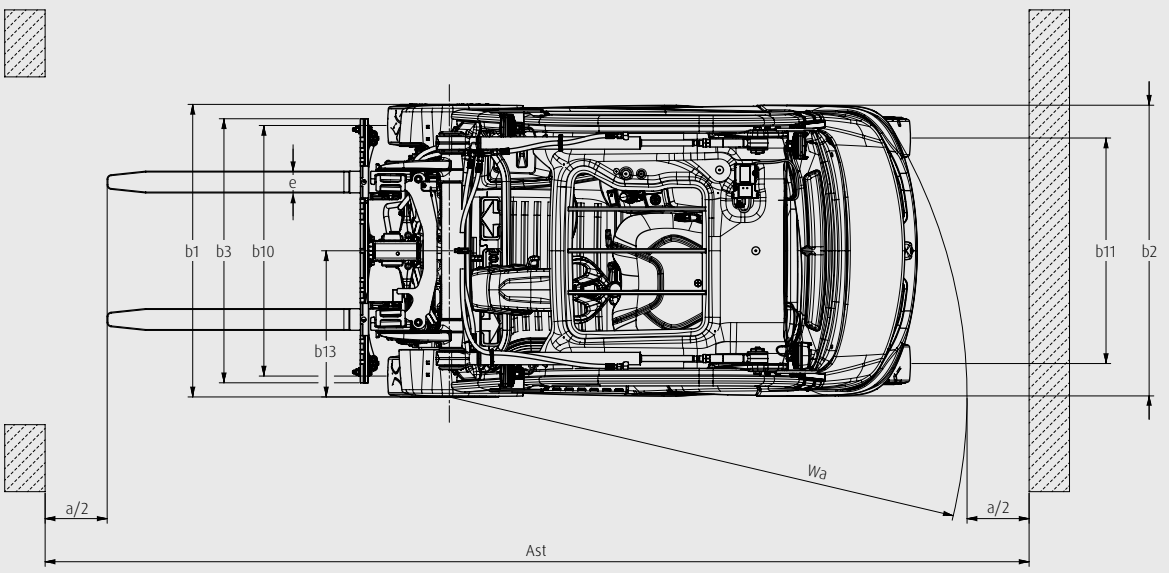
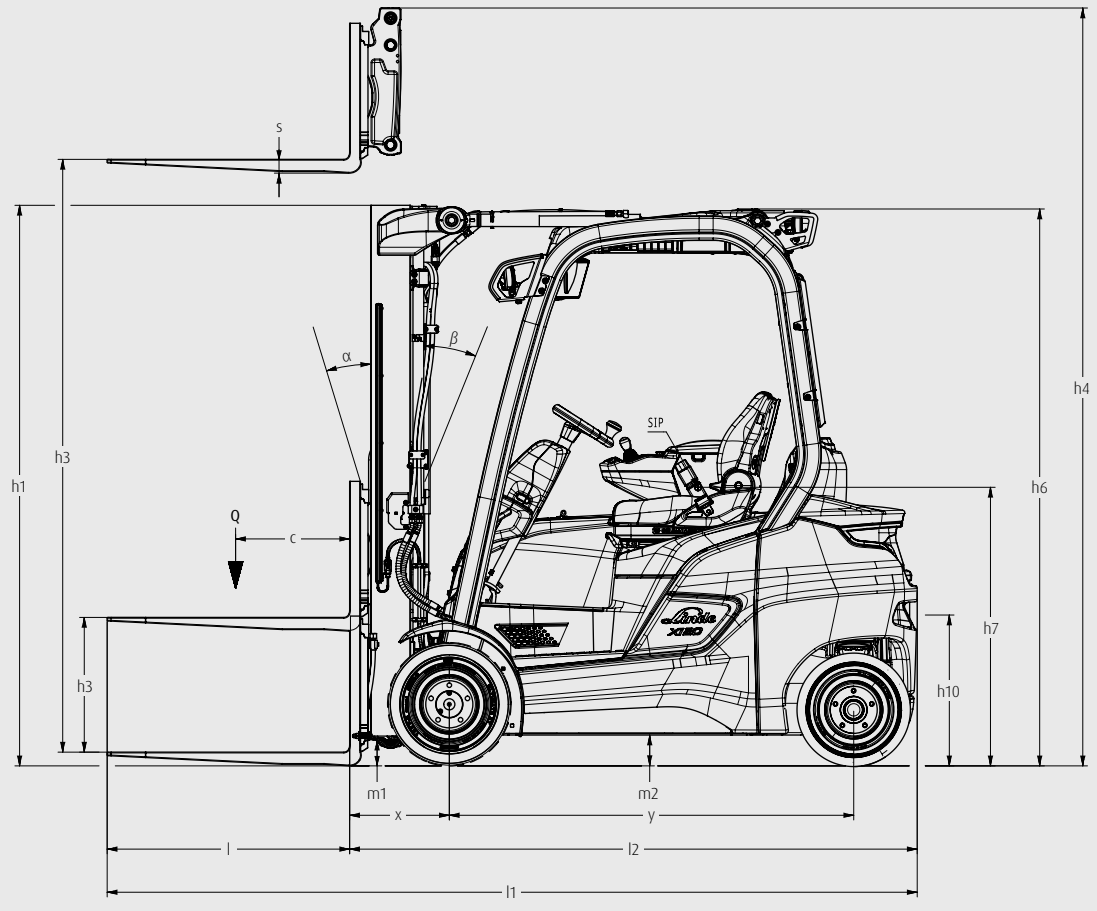
# TECHNICAL DATA (according to VDI 2198)

|                         |   |  |   |                         |                         |                         |
|-------------------------|---|--|---|-------------------------|-------------------------|-------------------------|
| Characteristics         | 1.1                                       | Manufacturer (abbreviation)                                |   | Linde MH                | Linde MH                | Linde MH                |
|                         | 1.2                                       | <b>Manufacturer's type designation</b>                     |   | <b>Xi16 PH</b>          | <b>Xi16 PH</b>          | <b>Xi20 PH</b>          |
|                         | 1.2a                                      | Series   |   | 1251-01                 | 1251-01                 | 1251-01                 |
|                         | 1.3                                       | Drive  |   | Battery                 | Battery                 | Battery                 |
|                         | 1.4                                       | Operation  |   | Seated                  | Seated                  | Seated                  |
|                         | 1.5                                       | Rated capacity/rated load                                  | Q (t)                                     | 1.6                     | 1.8                     | 2.0                     |
|                         | 1.6                                       | Load centre distance                                       | c (mm)                                    | 500                     | 500                     | 500                     |
|                         | 1.8                                       | Load distance, centre of drive axle to fork                | x (mm)                                    | 369.9                   | 374.9                   | 378.9                   |
|                         | 1.9                                       | Wheelbase  | y (mm)                                    | 1505 <sup>1)</sup>      | 1505 <sup>1)</sup>      | 1505 <sup>1)</sup>      |
| Weight                  | 2.1                                       | Service weight   | kg  | 3067 <sup>2)</sup>      | 3189 <sup>2)</sup>      | 3399 <sup>2)</sup>      |
|                         | 2.2                                       | Axle loading, laden front/rear                             | kg  | 3925/742                | 4316/673                | 4665/734                |
|                         | 2.3                                       | Axle loading, unladen front/rear                           | kg  | 1400/1667 <sup>2)</sup> | 1470/1719 <sup>2)</sup> | 1497/1902 <sup>2)</sup> |
| Tyres/chassis           | 3.1                                       | Tyres: solid rubber, superelastic, pneumatic, polyurethane |   | SE                      | SE                      | SE                      |
|                         | 3.2                                       | Tyre size, front   |   | 180/70-8 (18 × 7-8)     | 200/50-10               | 200/50-10               |
|                         | 3.3                                       | Tyre size, rear  |   | 150/75-8 (16 × 6-8)     | 150/75-8 (16 × 6-8)     | 150/75-8 (16 × 6-8)     |
|                         | 3.5                                       | Wheels, number front/rear (x = driven wheels)              |   | 2 x/2                   | 2 x/2                   | 2 x/2                   |
|                         | 3.6                                       | Tread, front   | b10 (mm)                                  | 930                     | 966                     | 966                     |
|                         | 3.7                                       | Tread, rear  | b11 (mm)                                  | 877                     | 877                     | 877                     |
|                         | Dimensions                                | 4.1  | Mast/fork carriage tilt, forward/backward | α/β (°)                 | 5.0/7.0                 | 5.0/7.0                 |
| 4.2                     |   | Mast height, lowered                                       | h1 (mm)                                   | 2294                    | 2293                    | 2293                    |
| 4.3                     |   | Free lift  | h2 (mm)                                   | 150                     | 150                     | 150                     |
| 4.4                     |   | Lift   | h3 (mm)                                   | 3350                    | 3350                    | 3350                    |
| 4.5                     |   | Mast height, extended                                      | h4 (mm)                                   | 3955                    | 3954                    | 3954                    |
| 4.7                     |   | Height of overhead guard (cabin)                           | h6 (mm)                                   | 2209                    | 2209                    | 2208                    |
| 4.8                     |   | Seat height relating to SIP/stand height                   | h7 (mm)                                   | 1176                    | 1177                    | 1177                    |
| 4.12                    |   | Coupling height  | h10 (mm)                                  | 621                     | 622                     | 622                     |
| 4.19                    |   | Overall length   | l1 (mm)                                   | 3049                    | 3054                    | 3058                    |
| 4.20                    |   | Length to fork face  | l2 (mm)                                   | 2149                    | 2154                    | 2158                    |
| 4.21                    |   | Overall width  | b1/b2 (mm)                                | 1086                    | 1162                    | 1162                    |
| 4.22                    |   | Fork dimensions DIN ISO 2331                               | s/e/l (mm)                                | 40/80/900               | 45/100/900              | 45/100/900              |
| 4.23                    |   | Fork carriage to ISO 2328, class/type A, B                 |   | 2A                      | 2A                      | 2A                      |
| 4.24                    |   | Fork carriage width  | b3 (mm)                                   | 980                     | 980                     | 980                     |
| 4.31                    |   | Ground clearance, laden, below mast                        | m1 (mm)                                   | 91                      | 95                      | 94                      |
| 4.32                    |   | Ground clearance, centre of wheelbase                      | m2 (mm)                                   | 98                      | 97                      | 96                      |
| 4.34.1                  |   | Aisle width for pallets 1000 × 1200 crossways              | Ast (mm)                                  | 3596 <sup>3)</sup>      | 3601 <sup>3)</sup>      | 3605 <sup>3)</sup>      |
| 4.34.2                  |   | Aisle width for pallets 800 × 1200 lengthways              | Ast (mm)                                  | 3796 <sup>3)</sup>      | 3801 <sup>3)</sup>      | 3805 <sup>3)</sup>      |
| 4.35                    |   | Turning radius   | Wa (mm)                                   | 2026                    | 2026                    | 2026                    |
| 4.36                    |   | Inside turning radius                                      | b13 (mm)                                  | 670                     | 670                     | 670                     |
| Performance             | 5.1                                       | Travel speed, laden/unladen                                | km/h                                      | 20/20                   | 20/20                   | 20/20                   |
|                         | 5.1.1                                     | Travel speed, laden/unladen, backward                      | km/h                                      | 20/20                   | 20/20                   | 20/20                   |
|                         | 5.2                                       | Lifting speed, laden/unladen                               | m/s                                       | 0.6/0.75                | 0.6/0.7                 | 0.57/0.75               |
|                         | 5.3                                       | Lowering speed, laden/unladen                              | m/s                                       | 0.58/0.5                | 0.58/0.5                | 0.58/0.5                |
|                         | 5.5                                       | Drawbar pull, laden/unladen                                | N   | 4000/4000               | 4000/4000               | 4000/4000               |
|                         | 5.6                                       | Max. drawbar pull, laden/unladen                           | N   | 12000/12000             | 12000/12000             | 12000/12000             |
|                         | 5.7                                       | Gradeability, laden/unladen                                | %   | 15.8/25.8               | 13.3/23.3               | 13.3/23.3               |
|                         | 5.8                                       | Max. gradeability, laden/unladen                           | %   | 26.2/43.7               | 22.2/39.1               | 22.2/39.1               |
|                         | 5.9                                       | Acceleration time, laden/unladen                           | s   | 5.2/4.5                 | 5.5/4.7                 | 5.5/4.7                 |
|                         | 5.10                                      | Service brake  |   | mech./elect.            | mech./elect.            | mech./elect.            |
| Electric-engine         | 6.1                                       | Drive motor rating S2 60 min                               | kW  | 2x 6.5                  | 2x 6.5                  | 2x 6.5                  |
|                         | 6.2                                       | Lift motor rating at S3 15%                                | kW  | 13                      | 13                      | 13                      |
|                         | 6.3                                       | Battery according to DIN 43531/35/36 A, B, C, no           |   | Li-ION                  | Li-ION                  | Li-ION                  |
|                         | 6.4                                       | Battery voltage/nominal capacity K5                        | (V)/(Ah) or kWh                           | 90/189                  | 90/284                  | 90/284                  |
|                         | 6.4.a                                     | Battery energy content                                     | kWh                                       | 15.3                    | 23.04                   | 23.04                   |
|                         | 6.6                                       | Energy consumption according to DIN EN 16796               | kWh/h                                     | 3.8                     | 4.1                     | 4.3                     |
|                         | 6.6.1                                     | CO2 equivalent compliant with DIN EN 16796                 | kg/h                                      | 2.1                     | 2.2                     | 2.3                     |
|                         | 6.7                                       | Turnover output according to VDI 2198                      | t/h                                       | 132                     | 148                     | 163                     |
| 6.8                     | Turnover efficiency according to VDI 2198 | t/kWh  | 21.5                                      | 22.5                    | 23.3                    |                         |
| Drive/lifting mechanism | 8.1                                       | Type of drive unit   |   | Microprocessor control  | Microprocessor control  | Microprocessor control  |
| Additional data         | 10.1                                      | Operating pressure for attachments                         | bar                                       | 170                     | 170                     | 170                     |
|                         | 10.2                                      | Oil flow for attachments                                   | l/min                                     | 32                      | 32                      | 32                      |
|                         | 10.7                                      | Sound pressure level LpAZ (at the operator's seat)         | dB(A)                                     | 66                      | 66                      | 66                      |

1) With vertical mast

2) including battery, lines 6.4/6.5.

3) including a = 200 mm safety distance



# MAST TABLES

## STANDARD MAST (in mm)

| Series                          | 1521                            |                                 |                                 |                                 |                                 |                                 |                                 |                                 |                                 |
|---------------------------------|---------------------------------|---------------------------------|---------------------------------|---------------------------------|---------------------------------|---------------------------------|---------------------------------|---------------------------------|---------------------------------|
| Lift                            | h3: 2800                        | h3: 2950                        | h3: 3150                        | h3: 3250                        | h3: 3350                        | h3: 3850                        | h3: 4250                        | h3: 4650                        | h3: 5650                        |
| Height measurements             | h1: 2025<br>h2: 150<br>h4: 3410 | h1: 2100<br>h2: 150<br>h4: 3560 | h1: 2200<br>h2: 150<br>h4: 3760 | h1: 2250<br>h2: 150<br>h4: 3860 | h1: 2300<br>h2: 150<br>h4: 3960 | h1: 2550<br>h2: 150<br>h4: 4460 | h1: 2750<br>h2: 150<br>h4: 4860 | h1: 2950<br>h2: 150<br>h4: 5260 | h1: 3450<br>h2: 150<br>h4: 6260 |
| Manufacturer's type designation |                                 |                                 |                                 |                                 |                                 |                                 |                                 |                                 |                                 |
| Xi16 P                          | ○                               | ○                               | ○                               | ○                               | ○                               | ○                               | ○                               | ○                               | ○                               |
| Xi16 PH                         | –                               | –                               | –                               | ○                               | ○                               | ○                               | ○                               | ○                               | ○                               |
| Xi18 P                          | ○                               | ○                               | ○                               | ○                               | ○                               | ○                               | ○                               | ○                               | ○                               |
| Xi18 PH                         | –                               | –                               | –                               | ○                               | ○                               | ○                               | ○                               | ○                               | ○                               |
| Xi20 P                          | ○                               | ○                               | ○                               | ○                               | ○                               | ○                               | ○                               | ○                               | ○                               |
| Xi20 PH                         | –                               | –                               | –                               | ○                               | ○                               | ○                               | ○                               | ○                               | ○                               |

## DUPLEX MAST (in mm)

| Series                          | 1521                          |                               |                               |                               |                               |                               |                               |
|---------------------------------|-------------------------------|-------------------------------|-------------------------------|-------------------------------|-------------------------------|-------------------------------|-------------------------------|
| Lift                            | h3: 2795                      | h3: 2945                      | h3: 3145                      | h3: 3245                      | h3: 3345                      | h3: 3545                      | h3: 3845                      |
| Height measurements             | h1: 1945 h2: 1343<br>h4: 3405 | h1: 2020 h2: 1418<br>h4: 3555 | h1: 2120 h2: 1518<br>h4: 3755 | h1: 2170 h2: 1568<br>h4: 3855 | h1: 2220 h2: 1618<br>h4: 3955 | h1: 2320 h2: 1718<br>h4: 4155 | h1: 2470 h2: 1868<br>h4: 4455 |
| Manufacturer's type designation |                               |                               |                               |                               |                               |                               |                               |
| Xi16 P                          | ○                             | ○                             | ○                             | ○                             | ○                             | ○                             | ○                             |
| Xi16 PH                         | –                             | –                             | –                             | ○                             | ○                             | ○                             | ○                             |
| Xi18 P                          | ○                             | ○                             | ○                             | ○                             | ○                             | ○                             | ○                             |
| Xi18 PH                         | –                             | –                             | –                             | ○                             | ○                             | ○                             | ○                             |
| Xi20 P                          | ○                             | ○                             | ○                             | ○                             | ○                             | ○                             | ○                             |
| Xi20 PH                         | –                             | –                             | –                             | ○                             | ○                             | ○                             | ○                             |

## TRIPLEX MAST (in mm)

| Series                          | 1521                             |                                  |                                  |                                  |                                  |                                  |                                  |                                  |                                  |
|---------------------------------|----------------------------------|----------------------------------|----------------------------------|----------------------------------|----------------------------------|----------------------------------|----------------------------------|----------------------------------|----------------------------------|
| Lift                            | h3: 4100                         | h3: 4325                         | h3: 4625                         | h3: 4775                         | h3: 4925                         | h3: 5475                         | h3: 5625                         | h3: 6075                         | h3: 6225                         |
| Height measurements             | h1: 1953<br>h2: 1343<br>h4: 4710 | h1: 2028<br>h2: 1418<br>h4: 4935 | h1: 2128<br>h2: 1518<br>h4: 5235 | h1: 2178<br>h2: 1568<br>h4: 5385 | h1: 2228<br>h2: 1618<br>h4: 5535 | h1: 2478<br>h2: 1868<br>h4: 6085 | h1: 2528<br>h2: 1918<br>h4: 6235 | h1: 2678<br>h2: 2068<br>h4: 6685 | h1: 2728<br>h2: 2118<br>h4: 6835 |
| Manufacturer's type designation |                                  |                                  |                                  |                                  |                                  |                                  |                                  |                                  |                                  |
| Xi16 P                          | ○                                | ○                                | ○                                | ○                                | ○                                | ○                                | ○                                | ○                                | ○                                |
| Xi16 PH                         | –                                | –                                | –                                | –                                | ○                                | ○                                | ○                                | ○                                | ○                                |
| Xi18 P                          | ○                                | ○                                | ○                                | ○                                | ○                                | ○                                | ○                                | ○                                | ○                                |
| Xi18 PH                         | –                                | –                                | –                                | –                                | ○                                | ○                                | ○                                | ○                                | ○                                |
| Xi20 P                          | ○                                | ○                                | ○                                | ○                                | ○                                | ○                                | ○                                | ○                                | ○                                |
| Xi20 PH                         | –                                | –                                | –                                | –                                | ○                                | ○                                | ○                                | ○                                | ○                                |

○ Optional equipment

– Not available

**h1:** Mast height, lowered

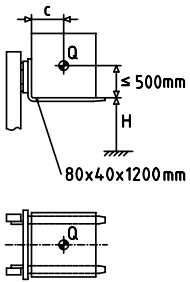
**h2:** Free lift

**h3:** Lift

**h4:** Mast height, extended

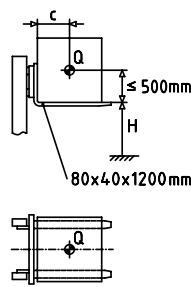
# LOAD CAPACITY

## Xi16 P\*



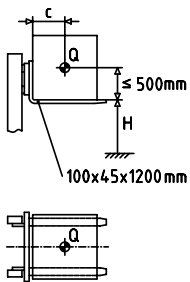
| H (mm)        | Q (kg)  |      |      |      |  |
|---------------|---------|------|------|------|--|
| 6500          | 1050    | 940  | 850  | 780  |  |
| 6300          | 1150    | 1030 | 930  | 850  |  |
| 6100          | 1250    | 1120 | 1010 | 920  |  |
| 6000          | 1300    | 1160 | 1050 | 960  |  |
| 5900          | 1350    | 1210 | 1090 | 1000 |  |
| 5800          | 1400    | 1250 | 1130 | 1040 |  |
| 5700          | 1450    | 1300 | 1170 | 1070 |  |
| 5600          | 1500    | 1340 | 1210 | 1110 |  |
| 5500          | 1520    | 1360 | 1230 | 1130 |  |
| 5400          | 1550    | 1390 | 1260 | 1150 |  |
| 5300          | 1570    | 1410 | 1280 | 1170 |  |
| ≤ 5200        | 1600    | 1430 | 1300 | 1180 |  |
| <b>c (mm)</b> | 400-500 | 600  | 700  | 800  |  |

## Xi16 PH\*



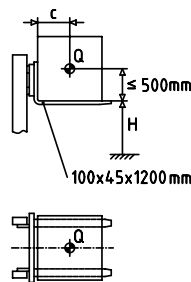
| H (mm)        | Q (kg)  |      |      |      |  |
|---------------|---------|------|------|------|--|
| 6500          | 1050    | 940  | 850  | 780  |  |
| 6300          | 1150    | 1030 | 930  | 850  |  |
| 6100          | 1250    | 1120 | 1010 | 920  |  |
| 6000          | 1300    | 1160 | 1050 | 960  |  |
| 5900          | 1350    | 1210 | 1090 | 1000 |  |
| 5800          | 1400    | 1250 | 1130 | 1040 |  |
| 5700          | 1450    | 1300 | 1170 | 1070 |  |
| 5600          | 1500    | 1340 | 1210 | 1110 |  |
| 5500          | 1520    | 1360 | 1230 | 1130 |  |
| 5400          | 1550    | 1390 | 1260 | 1150 |  |
| 5300          | 1570    | 1410 | 1280 | 1170 |  |
| ≤ 5200        | 1600    | 1430 | 1300 | 1180 |  |
| <b>c (mm)</b> | 400-500 | 600  | 700  | 800  |  |

## Xi18 P



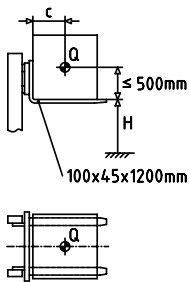
| H (mm)        | Q (kg)  |      |      |      |  |
|---------------|---------|------|------|------|--|
| 6200          | 1370    | 1220 | 1110 | 1020 |  |
| 6100          | 1410    | 1270 | 1150 | 1050 |  |
| 6000          | 1460    | 1310 | 1190 | 1090 |  |
| 5900          | 1510    | 1350 | 1230 | 1120 |  |
| 5800          | 1560    | 1400 | 1270 | 1160 |  |
| 5700          | 1610    | 1440 | 1310 | 1190 |  |
| 5600          | 1640    | 1470 | 1330 | 1220 |  |
| 5500          | 1670    | 1500 | 1360 | 1240 |  |
| 5400          | 1700    | 1530 | 1380 | 1260 |  |
| 5300          | 1730    | 1550 | 1410 | 1290 |  |
| 5200          | 1760    | 1580 | 1430 | 1310 |  |
| ≤ 5100        | 1800    | 1610 | 1460 | 1340 |  |
| <b>c (mm)</b> | 400-500 | 600  | 700  | 800  |  |

## Xi18 PH



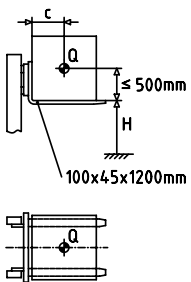
| H (mm)        | Q (kg)  |      |      |      |  |
|---------------|---------|------|------|------|--|
| 6200          | 1440    | 1290 | 1170 | 1070 |  |
| 6100          | 1480    | 1330 | 1200 | 1100 |  |
| 6000          | 1530    | 1370 | 1240 | 1130 |  |
| 5900          | 1570    | 1410 | 1280 | 1170 |  |
| 5800          | 1620    | 1450 | 1310 | 1200 |  |
| 5700          | 1660    | 1490 | 1350 | 1230 |  |
| 5600          | 1710    | 1530 | 1390 | 1270 |  |
| 5500          | 1750    | 1570 | 1420 | 1300 |  |
| ≤ 5400        | 1800    | 1610 | 1460 | 1340 |  |
| <b>c (mm)</b> | 400-500 | 600  | 700  | 800  |  |

## Xi20 P



| H (mm)        | Q (kg)  |      |      |      |  |
|---------------|---------|------|------|------|--|
| 6200          | 1510    | 1350 | 1230 | 1120 |  |
| 6000          | 1610    | 1440 | 1310 | 1200 |  |
| 5900          | 1660    | 1490 | 1350 | 1240 |  |
| 5800          | 1710    | 1540 | 1390 | 1270 |  |
| 5700          | 1760    | 1580 | 1430 | 1310 |  |
| 5600          | 1810    | 1630 | 1480 | 1350 |  |
| 5500          | 1870    | 1670 | 1520 | 1390 |  |
| 5400          | 1890    | 1700 | 1540 | 1410 |  |
| 5300          | 1920    | 1720 | 1560 | 1430 |  |
| 5200          | 1940    | 1740 | 1580 | 1450 |  |
| 5100          | 1970    | 1770 | 1600 | 1470 |  |
| ≤ 5000        | 2000    | 1790 | 1620 | 1490 |  |
| <b>c (mm)</b> | 400-500 | 600  | 700  | 800  |  |

## Xi20 PH



| H (mm)        | Q (kg)  |      |      |      |  |
|---------------|---------|------|------|------|--|
| 6200          | 1510    | 1350 | 1230 | 1120 |  |
| 6000          | 1610    | 1440 | 1310 | 1200 |  |
| 5900          | 1660    | 1490 | 1350 | 1240 |  |
| 5800          | 1710    | 1540 | 1390 | 1270 |  |
| 5700          | 1760    | 1580 | 1430 | 1310 |  |
| 5600          | 1810    | 1630 | 1480 | 1350 |  |
| 5500          | 1870    | 1670 | 1520 | 1390 |  |
| 5400          | 1890    | 1700 | 1540 | 1410 |  |
| 5300          | 1920    | 1720 | 1560 | 1430 |  |
| 5200          | 1940    | 1740 | 1580 | 1450 |  |
| 5100          | 1970    | 1770 | 1600 | 1470 |  |
| ≤ 5000        | 2000    | 1790 | 1620 | 1490 |  |
| <b>c (mm)</b> | 400-500 | 600  | 700  | 800  |  |

\* P = Four-wheel configuration

H = High version - for a high seating position for the driver

H = Lifting height, c = Load centre distance, Q = Load capacity  
Load capacity for standard mast and fork carriage

# STANDARD AND OPTIONAL EQUIPMENT

|  | Manufacturer's type designation/equipment   | Xi16 - Xi20 P |
|--|---|---------------|
| Safety   | Linde Curve Assist - automatic reduction of travel speed around corners   | ●             |
|  | Electric seat belt monitoring - visual and audible feedback   | ●             |
|  | Linde Load Assist - increased safety at high lift heights   | ●             |
|  | BlueSpot and TruckSpot - visual drive path warning for pedestrians and other operators                                      | ○             |
|  | Load weight indicator   | ○             |
|  | Linde Safety Pilot - load-dependent driving and lifting speed regulation plus additional functions                          | ○             |
|  | Linde Safety Guard - visual and audible proximity warning between trucks or between trucks and pedestrians                  | ○             |
|  | Speed restriction options (via switch, indoor/outdoor, load-dependent)  | ○             |
|  | Electrically monitored restraint system (optional monitoring: Door and/or belt)   | ○             |
|  | Linde LED stripes - optimum illumination of travel direction (switched or automatic) for increased safety                   | ○             |
|  | Linde Vertilight - extensive illumination of racking, load and forks  | ○             |
|  | Reverse Assist Radar - rear collision avoidance   | ○             |
| Digitalisation   | Reverse Assist Camera - personnel detection camera system avoids accidents  | ○             |
|  | Online data transmission  | ●             |
|  | WiFi data transmission  | ○             |
|  | Linde Fleet Management (local and cloud-based fleet management with different functional modules)                           | ○             |
|  | Linde Pre-Op Check - customizable daily check protocol for operational readiness, integrated in the truck display           | ○             |
| Operation/<br>load handling  | Truck Call app - coordination of transport jobs   | ○             |
|  | Twin pedal control - smooth acceleration and quick direction changes  | ●             |
|  | Single pedal control - smooth acceleration and change of travel direction via switch  | ○             |
|  | Linde Load Control - central control lever fully integrated into the armrest for precise control of all hydraulic functions | ●             |
|  | Multifunction lever - effortless control and increased ease of use  | ○             |
| Workplace  | Individual lever control of hydraulic functions   | ○             |
|  | Innovative decoupling concept decreases whole body vibrations to reduce operator fatigue                                    | ●             |
|  | Ergonomic and safe on/off access for operator   | ●             |
|  | Adjustable steering column tilt   | ●             |
|  | Comfort overhead guard for optimum headroom   | ●             |
|  | Operator's seat - fast, easy mechanical weight adjustment   | ●             |
|  | Different operator's seat options: seat heating, air suspension, active seat suspension, fore/aft suspension                | ○             |
|  | Operator's seat - swivelling seat   | ○             |
|  | 3.5" LED colour display, including steering and tilt angle display  | ●             |
|  | 7" LED multifunction colour display integrates additional functions such as cameras, Linde Safety Pilot and Pre-Op Check    | ○             |
|  | Armoured glass roof window  | ○             |
|  | Light metal doors with wide-opening sliding window  | ○             |
|  | Illuminated DIN A4 clip board   | ○             |
|  | Electric heating - 4 heat settings and 7 air nozzles for targeted adjustment as required                                    | ○             |
| Fully into the contour integrated air conditioning - use of existing air nozzles from the heating system for efficient cooling | ○   |               |
| Mast   | Radio incl. DAB+, MP3 player and Bluetooth hands-free kit   | ○             |
|  | High mounted tilt cylinders with maintenance-free bearings increase capacity at height                                      | ●             |
|  | Optimum visibility due to nested mast profiles on standard, duplex and triplex masts  | ●             |
|  | Electronically damped tilt stop   | ●             |
| Attachments/<br>forks  | Load damping for increased driving comfort and reduced wear and tear  | ○             |
|  | Reinforced Linde forks - easy to adjust and offering long service life  | ○             |
|  | Integral roller-guided side shift carriage retains full truck capacity  | ○             |
| Axles<br>and tyres   | Integral fork positioning carriage 'VIEW' for optimum residual load capacity and exceptional visibility                     | ○             |
|  | Linde combi steer axle - excellent manoeuvrability in the tightest spaces (Xi16 P, Xi18 P, Xi20 P)                          | ●             |
|  | Linde articulating steer axle - superb manoeuvrability, reliability and robustness (Xi16 PH, Xi18 PH, Xi20 PH)              | ●             |
|  | Super-elastic tyres (SE)  | ●             |
|  | Closed shoulder CS 20 tyres   | ○             |
|  | Anti-static or non-marking tyres  | ○             |
| Drive and<br>brake system  | Dirt deflectors/mud guards, front and rear  | ○             |
|  | 90 volt twin motor front-wheel drive with traction control and ramp assist  | ●             |
|  | Synchronous reluctance motors (SRM) for traction and lifting functions  | ●             |
|  | Operating settings - economy, efficiency and performance - for individual performance adjustment                            | ●             |
| Energy   | Automatic parking brake   | ●             |
|  | Simple, convenient charging thanks to rear charging option  | ●             |
|  | Charge anywhere with fully integrated, high frequency (HF) on-board charger   | ○             |
|  | Fully integrated 90 volt Li-ION battery   | ●             |

● Standard equipment      ○ Optional equipment

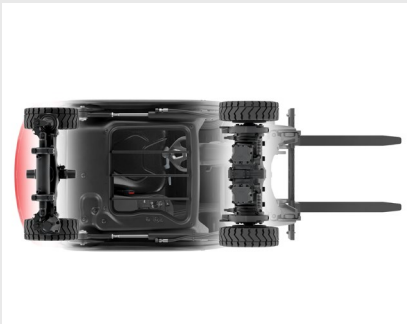
# CHARACTERISTICS



Workplace

## Ergonomics

- Operator's workstation isolated from road shocks and vibrations by elastomer ring bearings to reduce vibration and fatigue for the operator
- Intuitive operation thanks to twin pedal control and Linde Load Control
- Wide range of ergonomic comfort seats for optimum seating position
- Fully integrated air conditioning and heating systems for optimum working comfort
- Low step-in and spacious cab with plenty of head and legroom
- Optional operating concept Linde Steer Control with joystick or mini wheel



Bird's eye view x-ray

## Handling

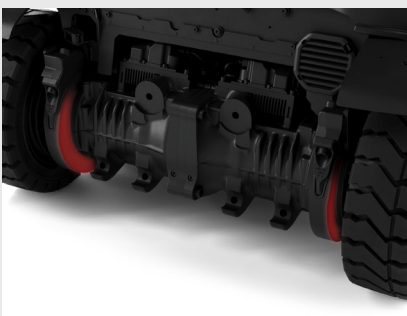
- Lifting and lowering speeds up to 20 percent above industry standard
- Linde combi steer or articulating steer axle ensure manoeuvrability and stability for indoor and outdoor use
- Maximum speed of up to 20 km/h for fast product transfers
- Optional onboard charger provides flexible opportunity charging
- 90 volt technology ensures consistently high performance, even in multi-shift operation



Panoramic view

## Safety

- Low vehicle centre of gravity ensures optimum resistance to tipping enhancing safety
- Overhead tilt cylinders for precise load handling at high lift heights
- Optimised visibility due to nested mast profiles and narrow A-pillars
- Linde Curve Assist for automatic travel speed reduction around corners
- Linde Load Assist for increased safety at high lift heights
- Automatic parking brake holds the truck securely on ramps and gradients
- Numerous optional assistance systems for additional protection



Drive axle

## Service

- Robust, low-wear design of all components
- Maintenance-free, fully enclosed drive components
- Long maintenance intervals (change of hydraulic oil and hydraulic oil filter after 6000 hours)
- Easily accessible components lead to fast, efficient maintenance
- Remote diagnostics and predictive maintenance through data analysis reduce downtime

Presented by:

Subject to modification in the interest of progress. Illustrations and technical specifications could include options and are not binding for actual constructions. All dimensions subject to usual tolerances.



### Linde Material Handling GmbH

Carl-von-Linde-Platz | 63743 Aschaffenburg | Germany  
Phone + 49 6021 99 0 | Fax + 49 6021 99 1570  
www.linde-mh.com | info@linde-mh.com

DS\_Xi16-Xi20\_P\_1251\_en\_A\_1024

